

PRODUCT DATA SHEET

Ramén Ball Sector Valve type KS-25



Ramén Valves

We know the flow

DN 25 | Wafer | PN 40 | Stainless steel | Metal/Soft seat | Viton®



The Ramén Ball Sector Control Valve is a stainless steel, soft or metal seated control valve with a hard chrome coated ball sector.

Type 1A with a soft seat is recommended when media is slightly contaminated liquids, slurries or dry powder and where shut off tightness is required.

Type 1B have a Stellite metal seat. This configuration is used when handling abrasive media at moderate pressure and temperature. It is also used for elevated velocity or pressure drop.

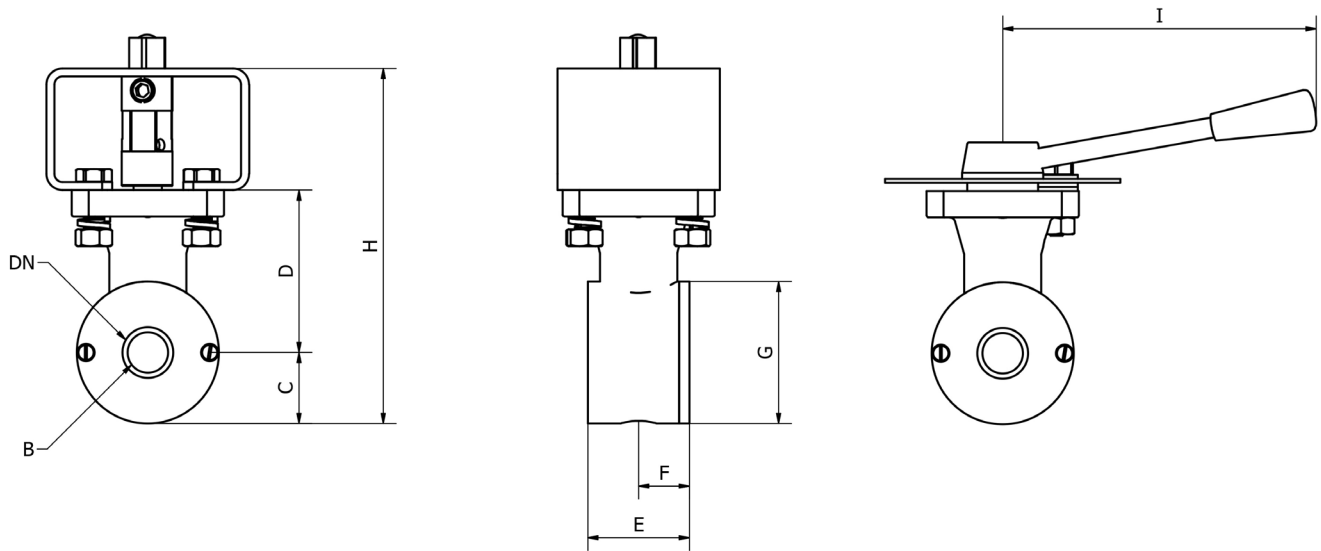
Type 1C have a Stellite metal seat and hard chrome coated seat holding ring used for abrasive media. It is also well suited for applications with elevated velocity or pressure drop and with incipient cavitation.

Type 1E is a stainless steel control valve with a deep Stellite metal seat used for abrasive media. This configuration is also used for elevated velocity, temperature and pressure drop which gives a risk for cavitation to occur.

KS-25 offers 9 different trims for versatile solutions, controlling very low flowrates within various applications fields. To enable high accuracy and rangeability with minimal hysteresis the KS-25 trims are engineered with individual geometries enabling an outstanding performance in low flow control of liquids and gases.

Technical information		
Design		Flangeless, wafertype
Nominal sizes		DN 25, 1"
Material	Body Shafts Ball Sector Seat O-rings Bearing	EN 1.4432, AISI 316L EN 1.4435, AISI 329 EN 1.4435 +Cr, AISI 316L+Cr 1A: Carbon reinforced PTFE 1B, 1C, 1E : Stellite Viton® Rulon®
Nominal pressure	DN 25	PN 40 (for flange PN 10/40 and ANSI 150/300)
Operating temperature*		-40° C - 250° C -40° F - 482° F
Seat leakage class according to EN60534-4		Soft seat: VI Metal seat: IV
Shell test according to EN12266-1		No leakage detectable
Actuator torque [Nm] Recommended Max.		20-50 100
Rangeability		Up to 300:1
Options	O-rings Alloy steels Seat	EPDM, Nitril, Kalrez®, Viton GLT, EPDM 90 304, 316L, SMO, Hastelloy, Duplex, Super Duplex, Titanium White PTFE, PEEK
Certificates and approvals		ATEX according to directive 2014/34/EU FDA approved elastomer (O-ring and seat) as an option

*Depending on sealing material



Dimensions										
DN	B Bore [mm]	C [mm]	D [mm]	E [mm]	F [mm]	G [mm]	H [mm]	I [mm]	Weight [kg]	Top mounting flange* EN-ISO 5211
25	See table "Valve data"	35	80	50	25	70	175	160	3,2	F05/F07, D14*

* D17 available on request

Valve data										
Size	25/0,03	25/0,3	25/0,7	25/1,3	25/2,5	25/5	25/10	25/15	25/20	
K_{vs} [m ³ /h]	0,025	0,25	0,6	1,1	2,1	5	7,5	12,5	21	
C_v [gpm]	0,03	0,3	0,7	1,3	2,5	5,8	9	15	25	
Rotation angle	0-18°	0-18°	0-18°	0-18°	0-18°	0-30°	0°	0-25°	0°	
Bore [mm]	Triangle shaped groove					Triangle shaped bore		15	19	
Characteristic	Percentage characteristic					Modified equal percentage		Equal percentage		

For bigger valve sizes refer to "Data Sheet Ramén Ball Sector Valve KS-1" (A-B-C-E)



KS25/0,3

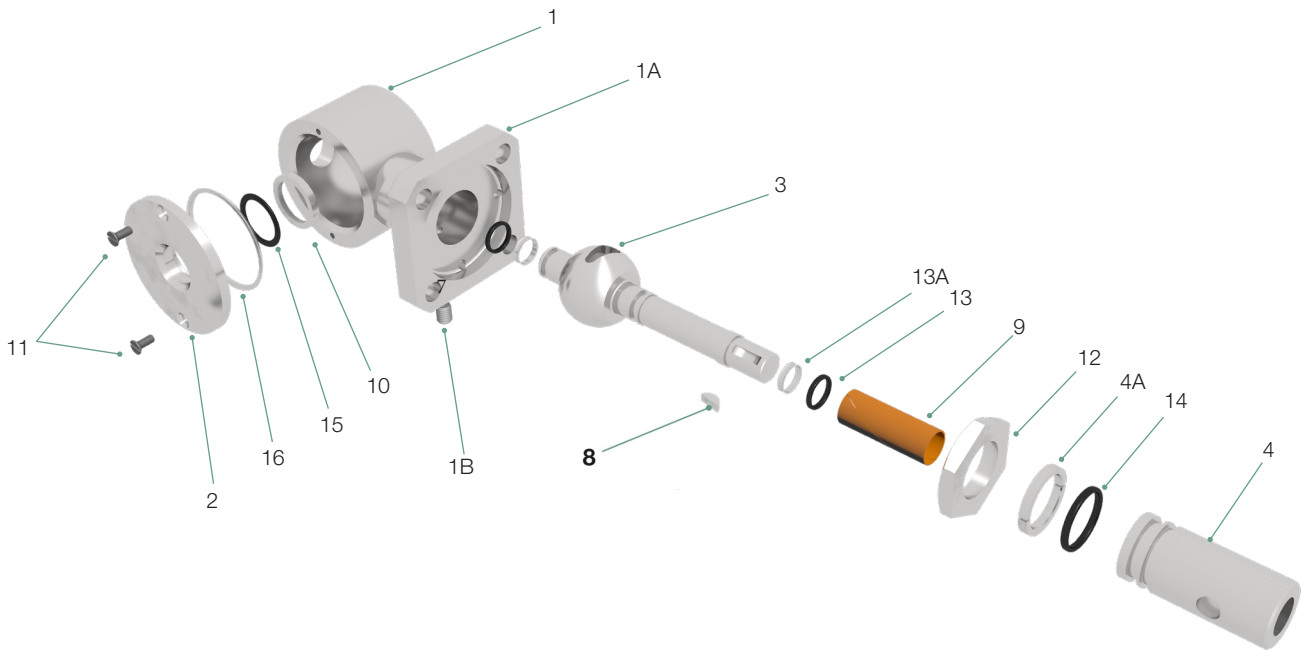


KS25/5



KS25/20

Exploded view DN 25



Parts list DN 25

Part	QTY	Name	Material
1	1	Body	EN 1.4409 (AISI 316L)
1A	1	Flange	EN 1.4409 (AISI 316L)
1B	1	Grub screw	EN 1.4409 (AISI 316L)
2	1	Seat holding ring	Viton® (FKM)
3	1	Ball sector	Viton® (FKM)
4	1	Bearing sleeve	EN 1.4460 (AISI 329)
4A	1	Split ring	EN 1.4460 (AISI 329)
8	1	Woodruff key	EN 1.4460 (AISI 329)
9	1	Bearing	Rulon®
10	1	Seat ring	Viton® (FKM)
11	2	Screw	EN 1.4409 (AISI 316L)
12	1	Grub screw	EN 1.4409 (AISI 316L)
13	2	O-ring	Viton® (FKM)
13A	2	Sliding ring	PTFE
14	1	O-ring	Viton® (FKM)
15	1	O-ring	Viton® (FKM)
16	1	O-ring	Viton® (FKM)

Standard spare part kit

Part	Name
9	Shaft bearing
10	Seat ring
13A	Sliding ring
13, 14, 15, 16	O-rings

All materials acc. to standard configuration. Please contact your contact for order specific materials.

YOUR CONTACT FOR THE NETHERLANDS:

Binder Engineering B.V

Cort van der Lindenstraat 25
 2288 EV Rijswijk
 Tel. 070-307.4300
sales@binder-engineering.nl
www.binder-engineering.nl